



Red Wing Steel Works
Matt & Suzie Kline - Owners
1526 S Park St
Red Wing, MN 55066

Email: redwingsteelworks@gmail.com
Website: redwingsteelworks.com

3' x 5' Square Tube Welding Table Total Material List

54' x 2" x 2" x .188" square tube
5'2" x 3'2" x .375" sheet metal
5' x 3' x 3/4" #9 flat expanded metal

Cut List

Top

1 - 62" x 38" x .375" sheet metal

Shelf

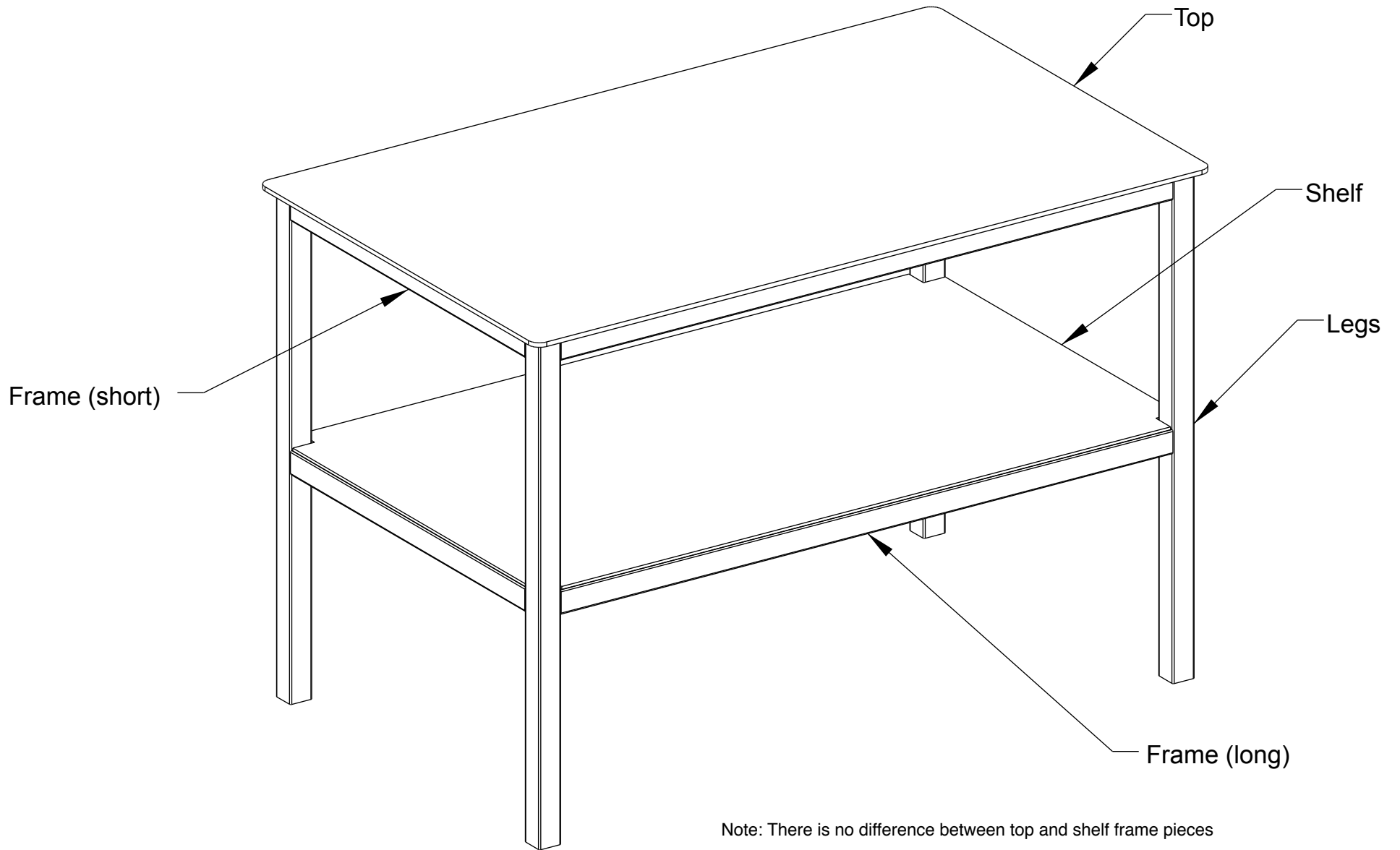
1 - 60" x 36" x #9 flat expanded metal

Frame

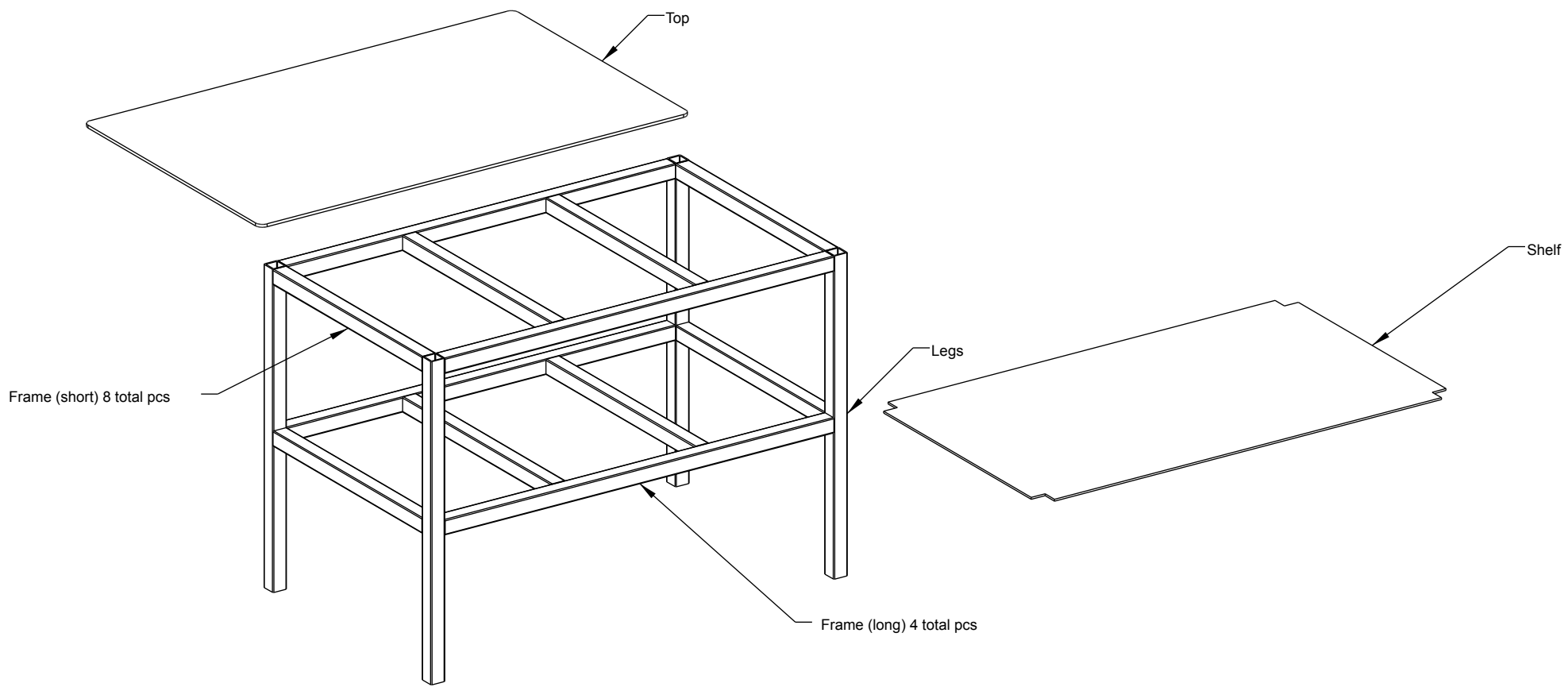
4 - 56" x 2" x 2" x .188" square tube
8 - 32" x 2" x 2" x .188" square tube

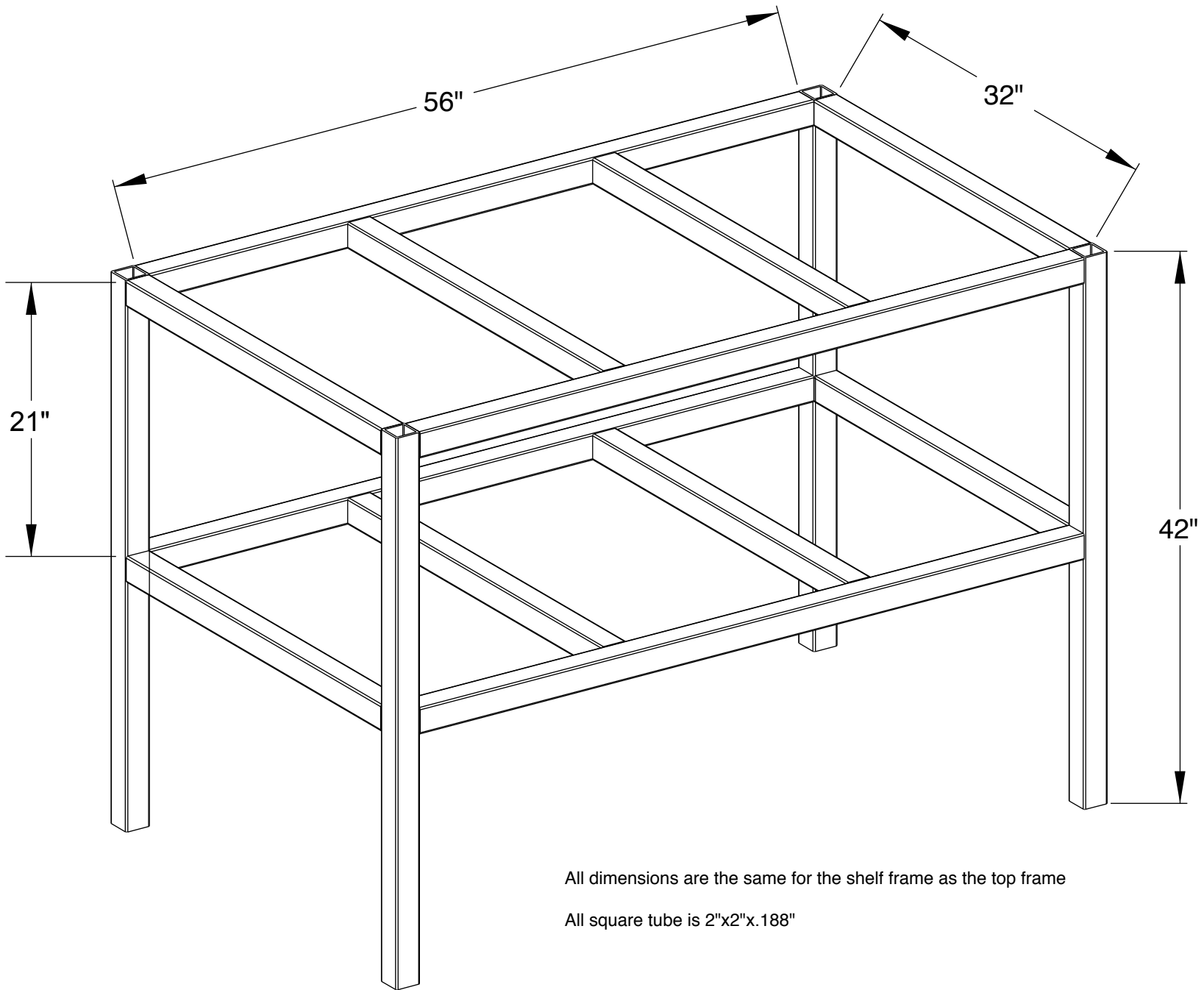
Legs

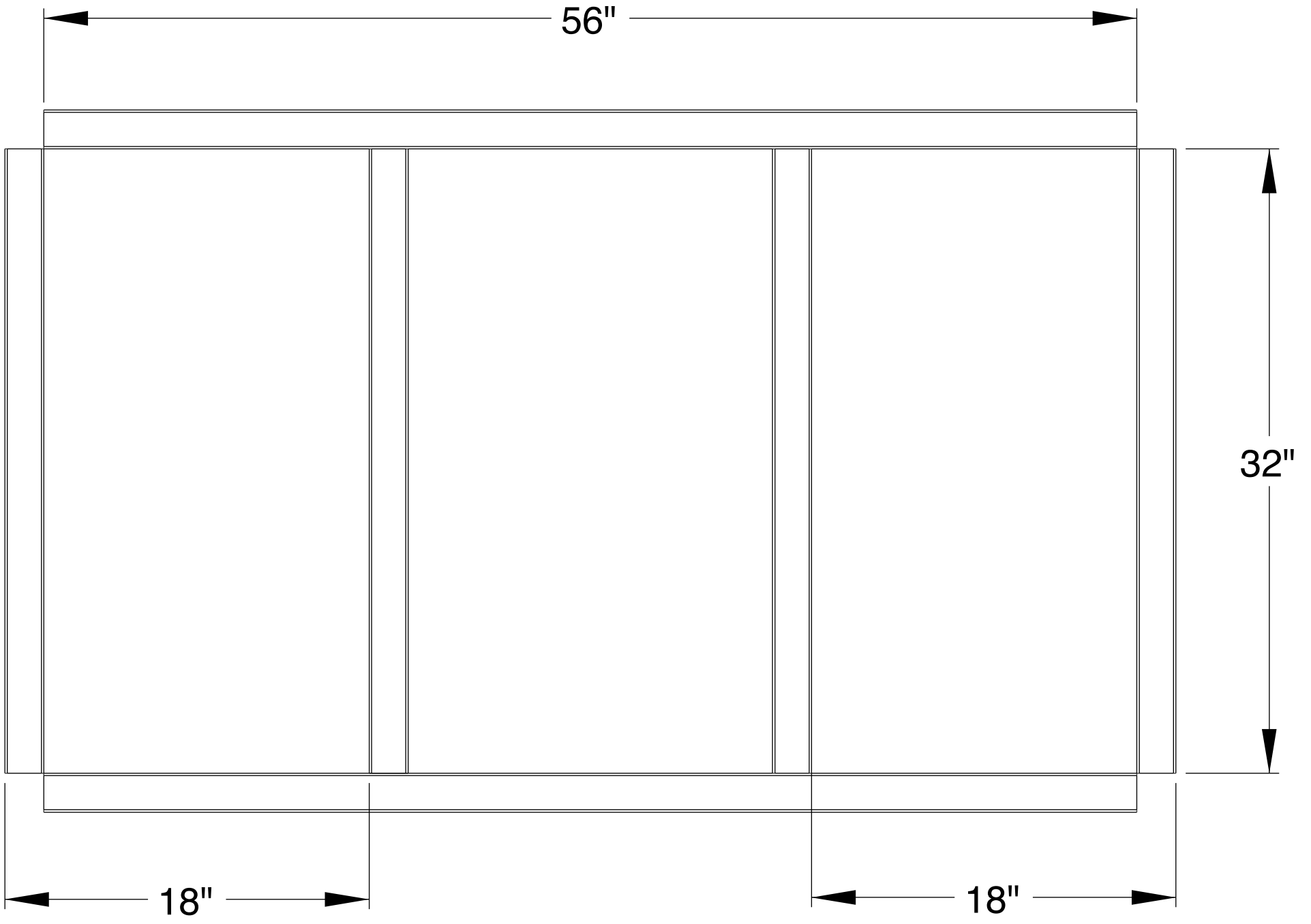
4 - 42" x 2" x 2" x .188" square tube



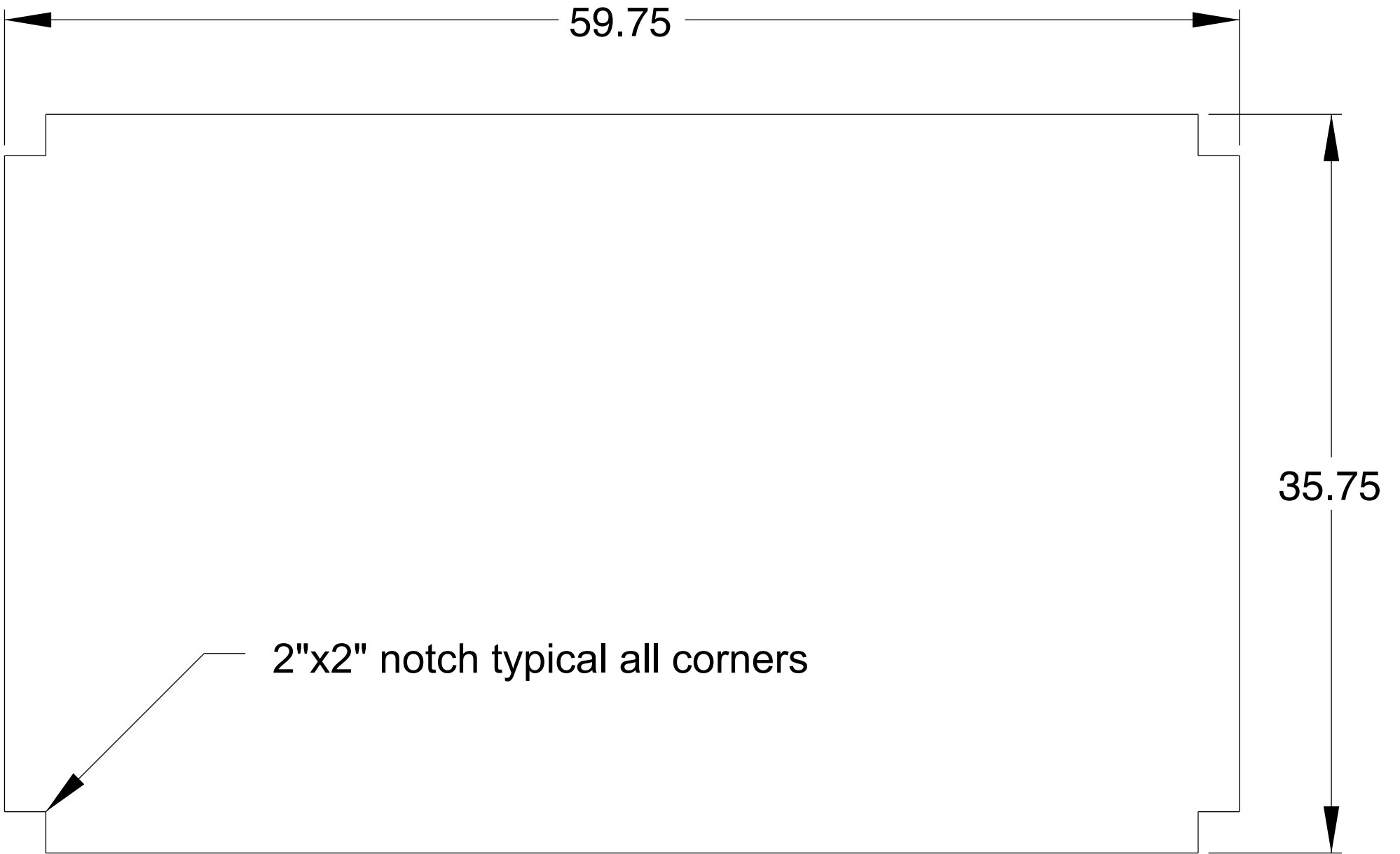
Note: There is no difference between top and shelf frame pieces







Top and shelf frame (top view)



Shelf (top view)